

DIRECTIONS

A World Without Gun Violence
GLOBAL CITIZEN'S 24TH ANNUAL
KING DAY OF SERVICE
SIGNATURE SITE
2019 FEATURED SERVICE
PROJECT

dreamline[®]
from Cloud Cloth Education



dreamline.org

BOOTH BUILDING

WE NEED 100 DREAM BOOTHS. FUTURE SITES INCLUDE: CITY HALL, CHILDRENS HOSPITAL, DOZENS OF SCHOOLS, LIBRARIES, AND OTHER PUBLIC PLACES SUPPORTING A WORLD WITHOUT GUN VIOLENCE.

BEST IN TEAMS OF 2 OR 3

1 GET THE PARTS – Bag for the small ones. Carry the pipes.

Collect the following:



6 Corners



6 Ts



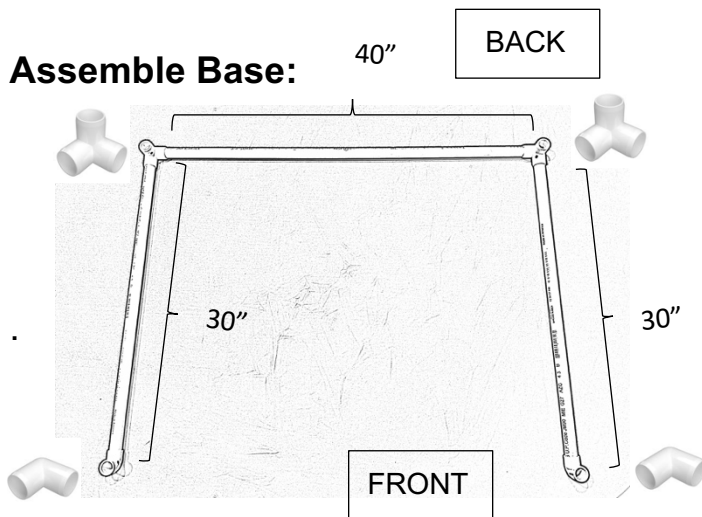
6 Ls



PVC Pipe: 4 40" (longest) 6 36" (medium) 8 30" (shorter) 2 4.5" (shortest)

5 Pieces of Ribbon 20 zip ties 10 rings 10 binder clips 4 Velcro pieces

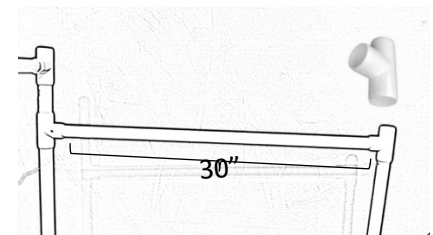
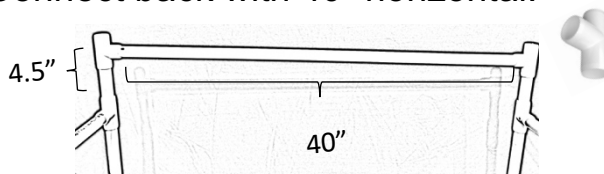
2 Assemble Base:



3 Insert one 36" pipe vertically in each Corner and each L.

4 Assemble Middle:

- Put on T on top of each of the four 36" verticals:
- Connect sides with 30" horizontals.
- Put 4.5" pipes (very short) vertically on back two corners
- Attach T to top of the two 4.5" pipes
- Connect back with 40" horizontal.



5 Insert one 36" pipe vertically in each of the FRONT two corners.
Insert one 30" pipe vertically in each of the BACK two corners.

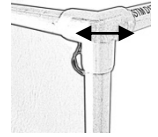
6 Assemble Top:

- Attach a Corner to each of the four verticals.
- Connect sides with 30" horizontals.
- Connect the front and back with 40" horizontals.



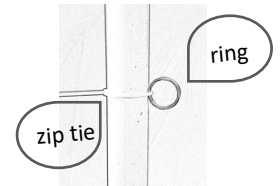
7 Attach Header Velcro:

On each of the top corners, attach a horizontal piece of Velcro.



8 Attach Rings:

- On FRONT verticals, measure down 8 in. from the top corner and attach a metal ring to the pipe with a zip tie.
- Measure 12" down from each ring to attach another.
Total of five rings per side.

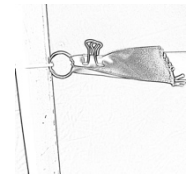


9 Attach Zip Tie Supports:

- On BACK verticals, measure down 8 in. from the top corner and attach a zip tie.
- Measure 12" down from each zip tie to attach another.
Total of five zip ties per side. Note: Attach only to the pipe, not the joiners. Go down or up a little to do this if needed.

10 Attach Ribbons:

- Loop end of a ribbon through metal ring and fasten with binder clip.
- Run ribbon around OUTSIDE of back two poles, above corresponding zip ties.
- Loop other end of ribbon through metal ring and fasten with clip.
- Tighten both ends as needed to make the ribbon as taut as possible.
- Repeat for other four pieces of ribbon. Five ribbons total.



11 Tape Your Bag--with unused Velcro--to one of the horizontal bars.
Sign your Dream Booth if you wish!

YOU DID IT! GET YOUR BOOTH CHECKED BY A HOME DEPOT VOLUNTEER AND HELP BRING IT TO THE BANNER LINE. THEN BUILD ANOTHER!

